

HDMI to PC/HD Format Converter With Audio

The CP-262H converts digital HDMI to analog PC/RGB or HD YPbPr with audio.

It enables you to connect your new HDMI sources to the older analog PC monitor, Projector or TV.

Operation Manual



CP-262H

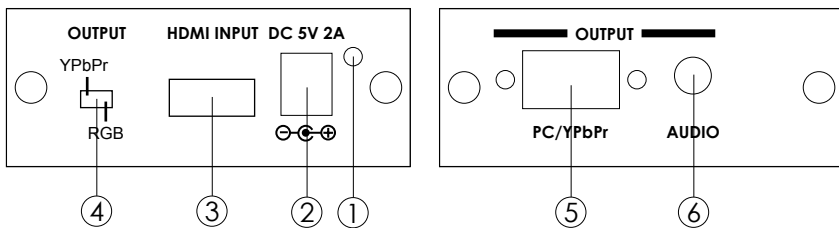
This package includes:

- One CP-262H unit.
- One switching power supply adaptor.
- One 3.5mm phone-jack to 2-RCA audio adaptor cable.
- D-Sub x 3 RCA cable.
- User manual.

Features:

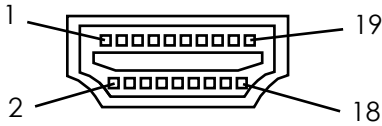
- * Let you watch new HDMI source signal (from Set Top Box, or DVD player) on your older analog TVs or monitor.
- * Output YPbPr/RGB switchable.
- * Plug and Play, easy to install.
- * Can operate without external DC power supply.
The CP262H can be powered by the HDMI video source through Pin 18 of the HDMI connector.
However it is recommended to use external power adaptor to ensure enough power is provided to the unit.

Operation Controls and Functions:



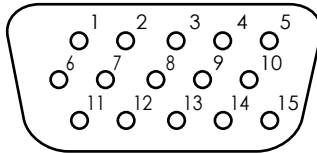
1. Power LED.
2. DC 5V power input jack.
3. HDMI input connector: Connects to HDMI output connector of your HDMI source equipment.
4. Output format switch:
 - Set the switch to YPbPr when the output of CP-262H is connected to your display TV through 3 RCA component input. (Using VGA to 3 RCA adaptor cable)
 - Set the switch to RGB when the output of CP-262H is connected to your display TV through HD-15 D-sub PC input.
5. HD-15 D-sub output : Connects to the input of your display TV through VGA cable, or D-sub to 3 RCA adaptor cable.
6. Stereo audio output via 3.5mm phone jack.

A. HDMI Connector Pin Assignment



Pin#	Function Assignment	Pin#	Function Assignment
1	TMDS Data2+	2	TMDS Data2 Shield
3	TMDS Data2-	4	TMDS Data1+
5	TMDS Data1 Shield	6	TMDS Data1-
7	TMDS Data0+	8	TMDS Data0 Shield
9	TMDS Data0-	10	TMDS Clock+
11	TMDS Clock Shield	12	TMDS Clock-
13	CEC	14	Reserved (N.C. on device)
15	SCL	16	SDA
17	DDC/CEC Ground	18	+5V Power
19	Hot Plug Detect		

Output Format



B. Analog VGA output pin assignment when output switch set to RGB.

Part No.	Pin No.	Description (PC out)
DB15HD	1	RED
	2	GREEN
	3	BLUE
	4	GND
	5	GND (DDC-RETURN)
	6	GND-RED
	7	GND-GREEN
	8	GND-BLUE
	9	N.C
	10	GND-SYNC
	11	GND
	12	DDC-DATA
	13	H-SYNC
	14	V-SYNC
	15	DDC-CLOCK

C. Analog VGA output pin assignment when output switch set to YPbPr.

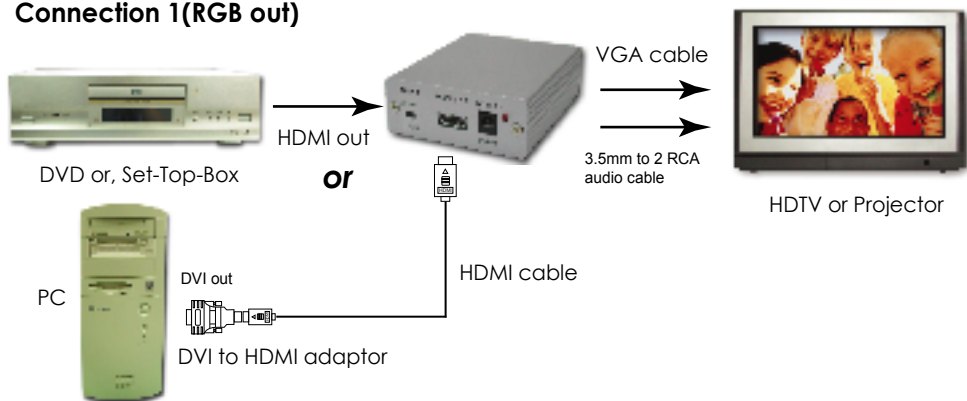
Part No.	Pin No.	Description (HD out)
DB15HD	1	Pr
	2	Y
	3	Pb
	4	GND
	5	GND (DDC-RETURN)
	6	GND-Pr
	7	GND-Y
	8	GND-Pb
	9	N.C
	10	GND-SYNC
	11	GND
	12	DDC-DATA
	13	H-SYNC
	14	V-SYNC
	15	DDC-CLOCK

Specification

- * HDMI is compliant with HDMI 1.0
- * PC Output : HD-15 (RGBHV/YPbPr)
- * Analog Audio Output : Analog L.R stereo
- * Operation frequency : up to 165MHz
- * Input/Output resolution :
 - PC : VGA@60、VGA@72、VGA@75、VGA@85
SVGA@60、SVGA@72、SVGA@75、SVGA@85
XGA@60、XGA@70、XGA@75、XGA@85、XGAi@87
SXGA@60、SXGA@75、SXGA@85、UXGA@60
1152@70、1152@75、1152@85
- HD : 480i@60、576i@50、480P@60、576P@50、720P@60、
720P@50、1080i@60、1080i@50、1080P@60、
1080P@50、1080P@30、1080P@25、1080P@24
- * Using switch to select output Format between RGB and YPbPr
- * Dimensions (WxHxD) : 76 * 30 * 105mm
- * Power : 5V 2A Center-positive

Installation

Connection 1 (RGB out)



Connection 2 (YPbPr out)

